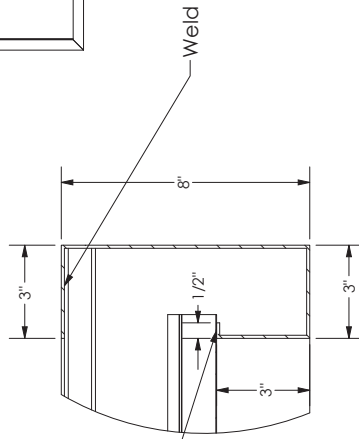
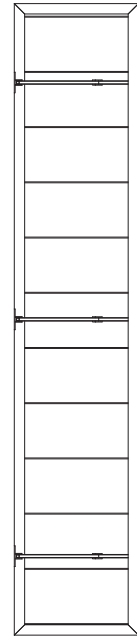
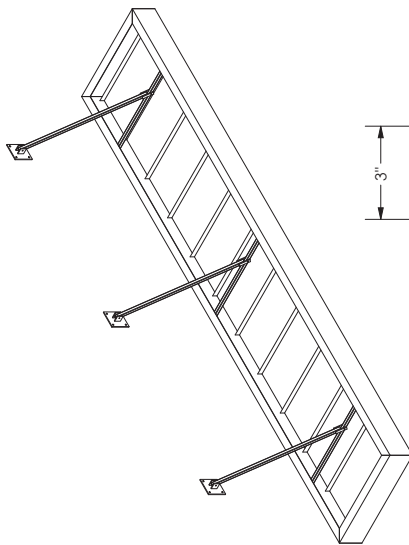
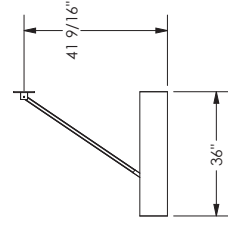
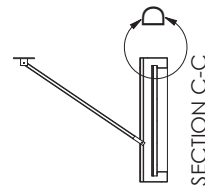
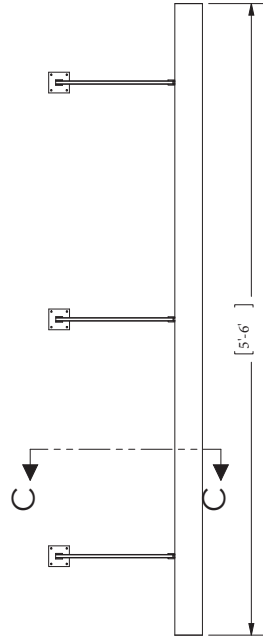


5'-6" Frame



tech screw attachment
 Weld
 DETAIL D
 SCALE 1 : 4



1 2 3 4 5 6

A B C D E

PROPRIETARY AND CONFIDENTIAL
 THE INFORMATION CONTAINED IN THIS
 DRAWING IS THE SOLE PROPERTY OF
 OxCart Engineering LLC.
 ANY REPRODUCTION IN PART OR AS A
 WHOLE WITHOUT THE WRITTEN
 PERMISSION OF OxCart Engineering LLC
 IS PROHIBITED.

OxCart Engineering
 877-819-3870
 josh@oxcartengineering.com

SHEET 1 OF 4
 SCALE: 1:36

Approval Signature

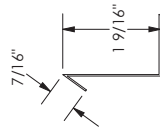
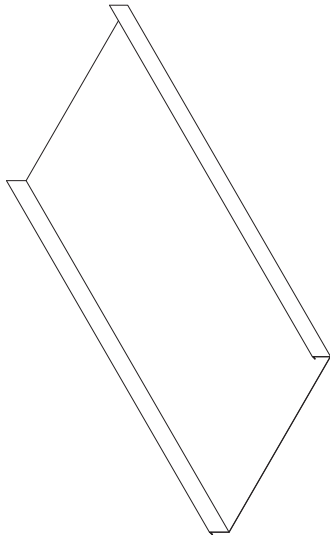
Date:

Project: RO

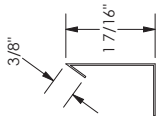
DIMENSIONS ARE IN INCHES

1 2 3 4 5 6

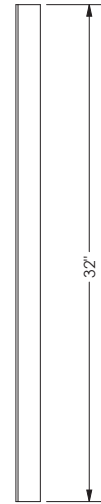
Soffit Panel
24ga Steel sheet



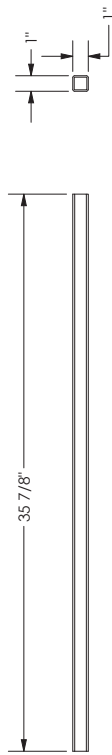
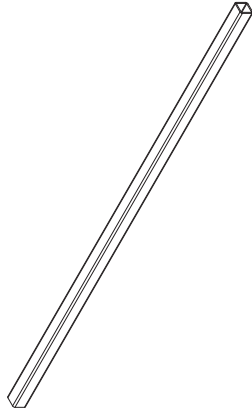
DETAIL A
SCALE 1 : 2



DETAIL B
SCALE 1 : 2



Projection Bar
.090" Wall



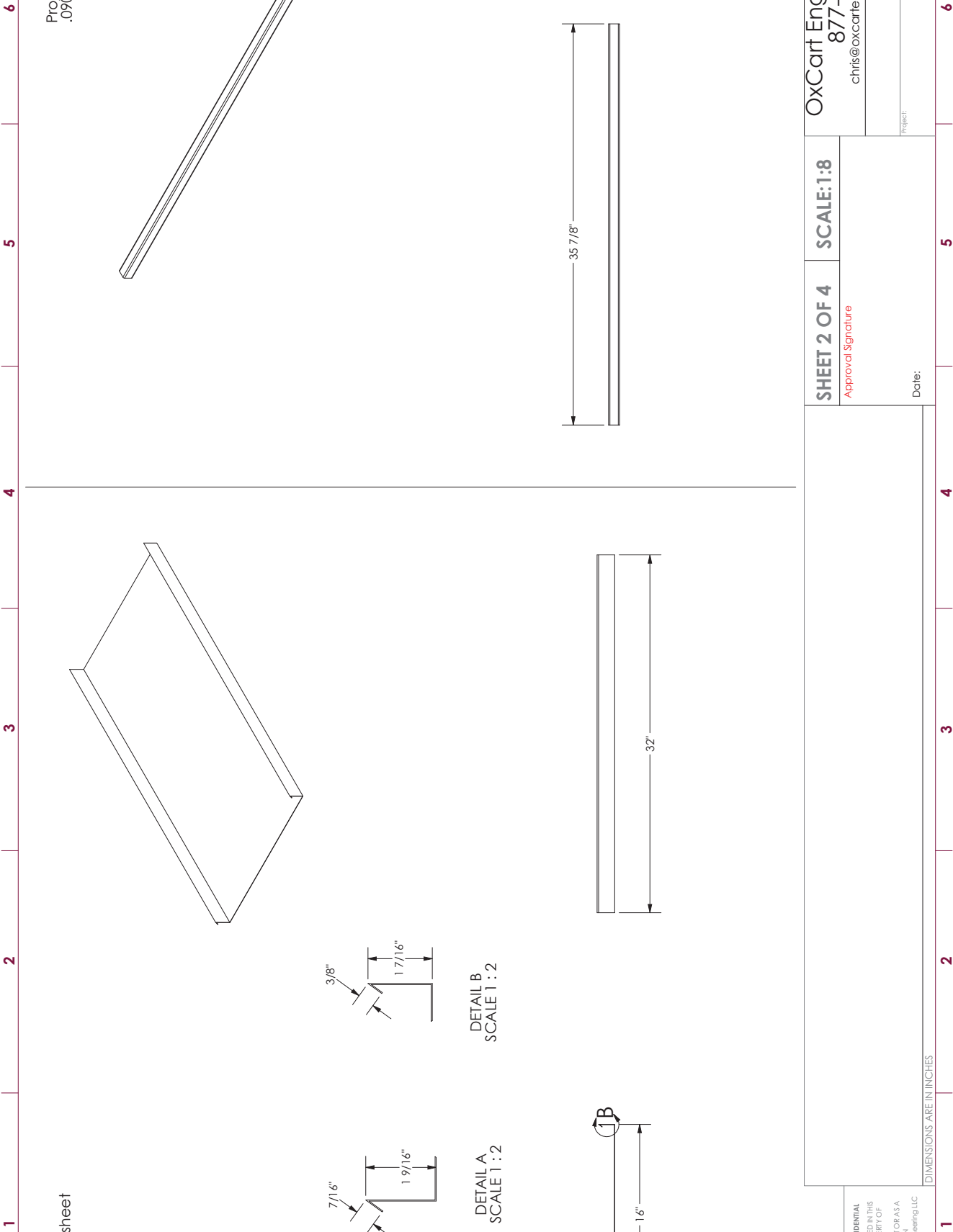
PROPRIETARY AND CONFIDENTIAL
THE INFORMATION CONTAINED IN THIS
DRAWING IS THE SOLE PROPERTY OF
OxCart Engineering LLC.
ANY REPRODUCTION IN PART OR AS A
WHOLE WITHOUT THE WRITTEN
CONSENT OF OxCart Engineering LLC
IS PROHIBITED.

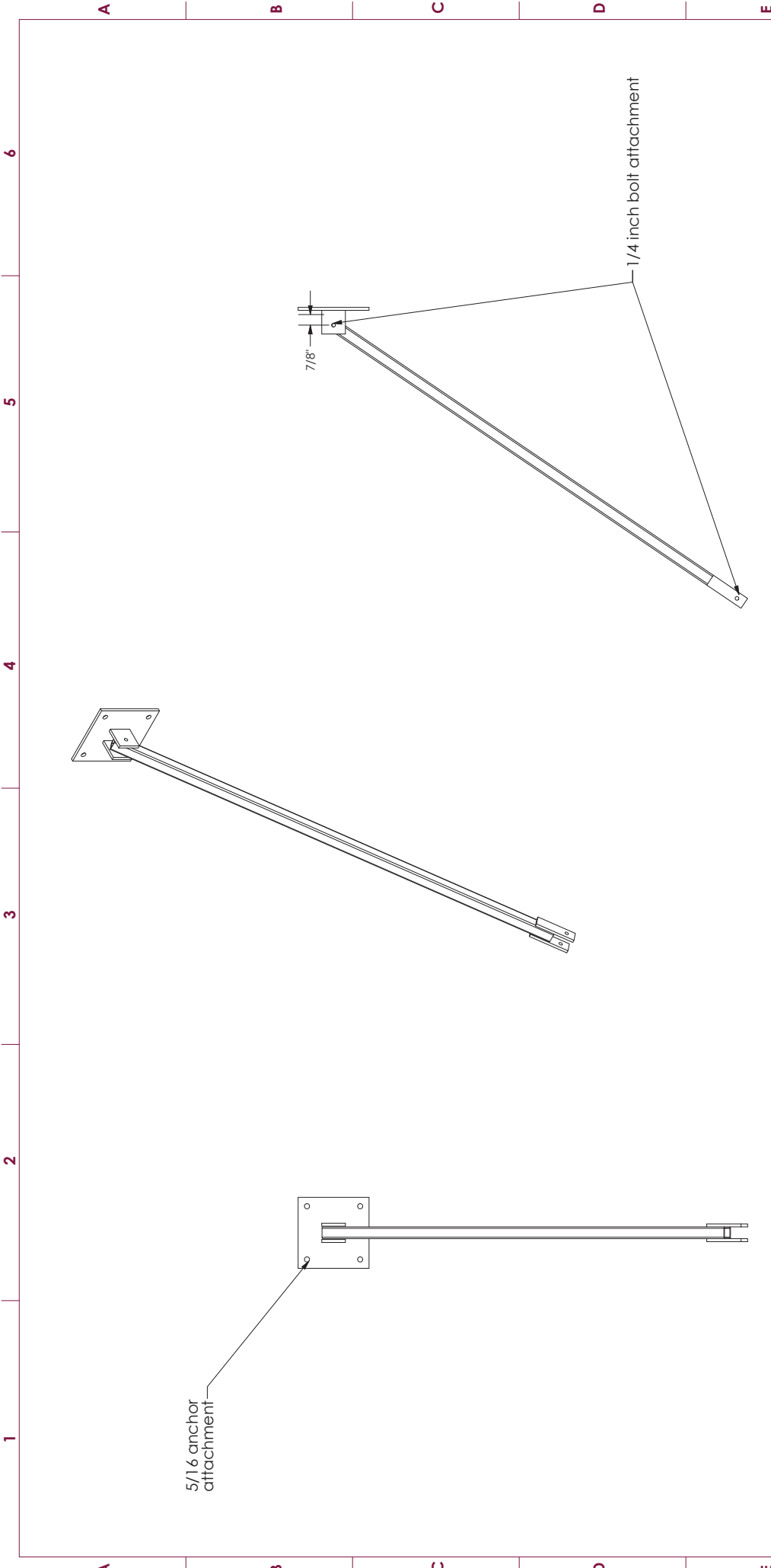
SHEET 2 OF 4
Approval Signature

OxCart Engineering
877-819-3870
chris@oxcartengineering.com

Project: _____
Revision: **RO**

DIMENSIONS ARE IN INCHES





PROPRIETARY AND CONFIDENTIAL
 THE INFORMATION CONTAINED IN THIS
 DRAWING IS THE SOLE PROPERTY OF
 Oxcart Engineering LLC.
 ANY REPRODUCTION IN PART OR AS A
 WHOLE WITHOUT THE WRITTEN
 PERMISSION OF Oxcart Engineering LLC
 IS PROHIBITED.

Oxcart Engineering
 877-819-3870
 chris@oxcartengineering.com

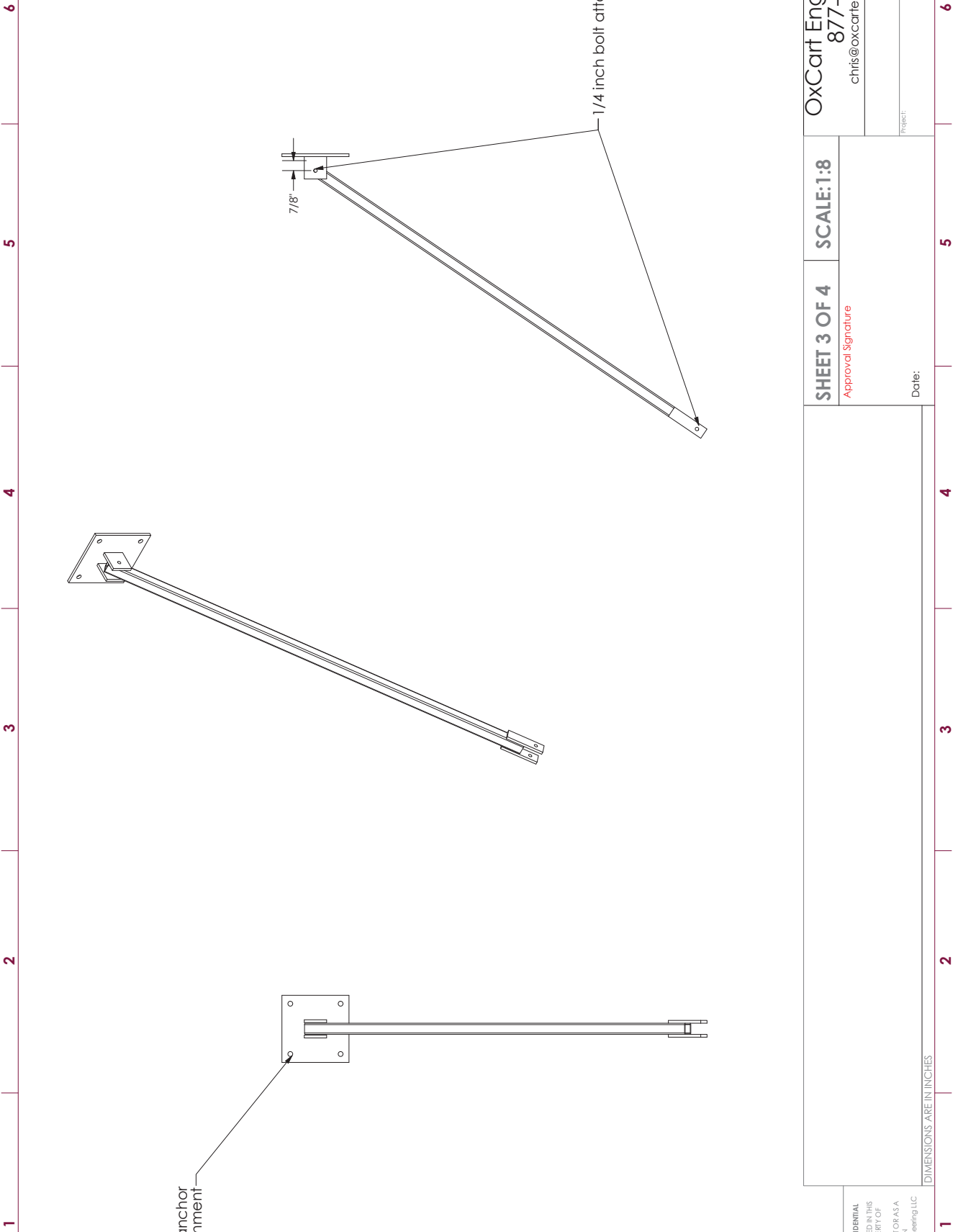
SHEET 3 OF 4

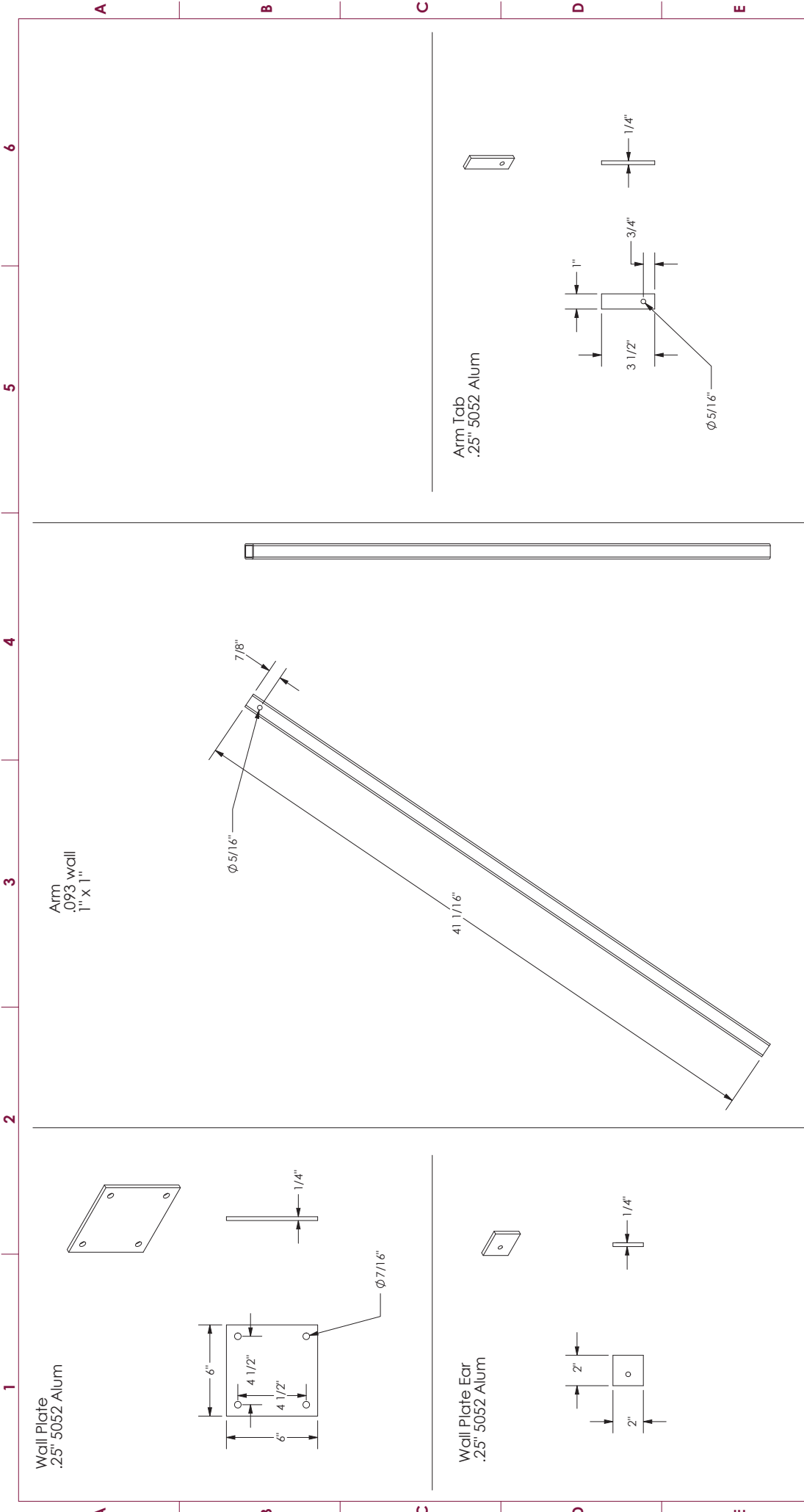
Approval Signature

Date:

Project: _____
 Revision: **RO**
 of _____

DIMENSIONS ARE IN INCHES





OxCart Engineering
877-819-3870
chris@oxcartengineering.com

SHEET 4 OF 4 **SCALE: 1:6**

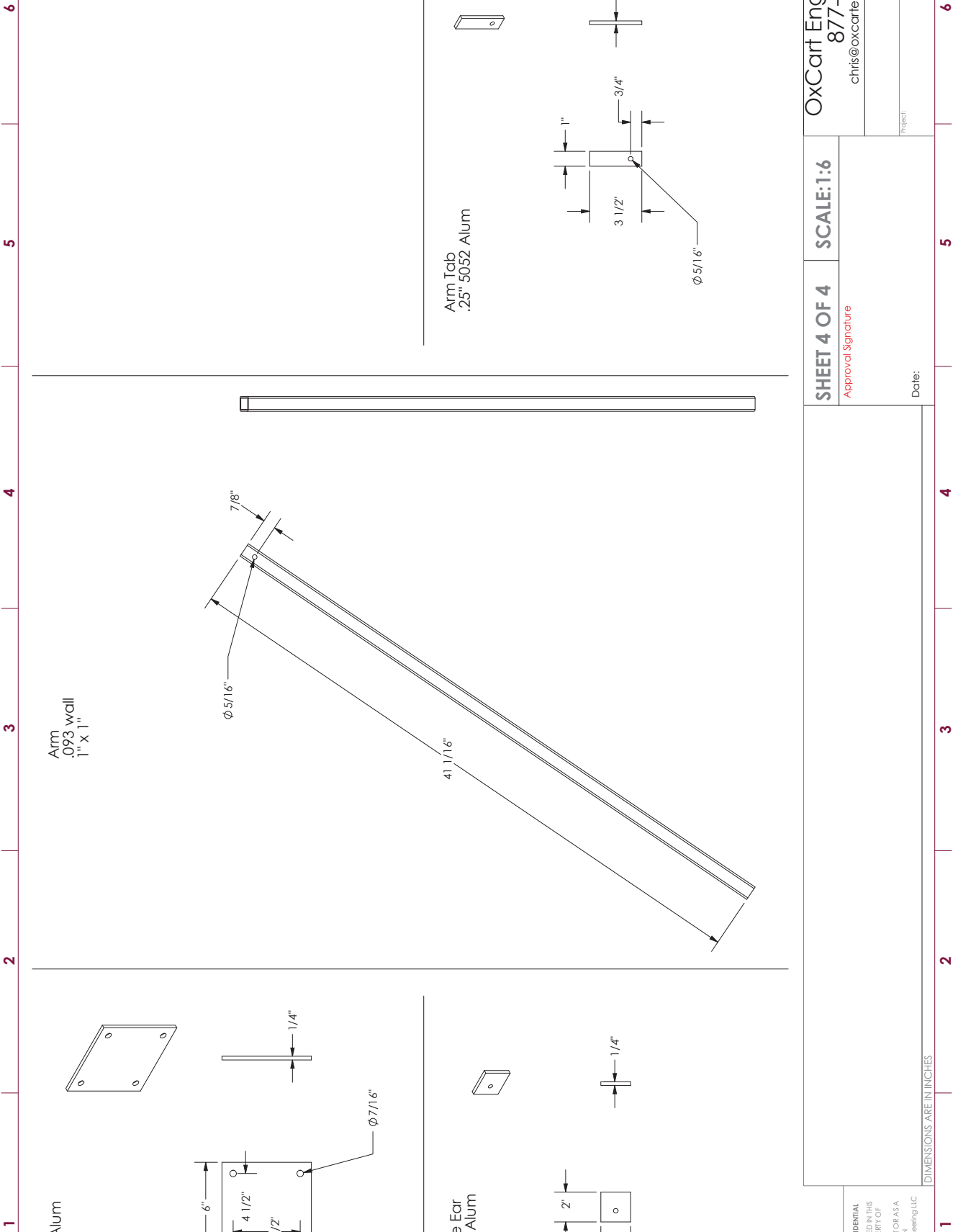
Approval Signature

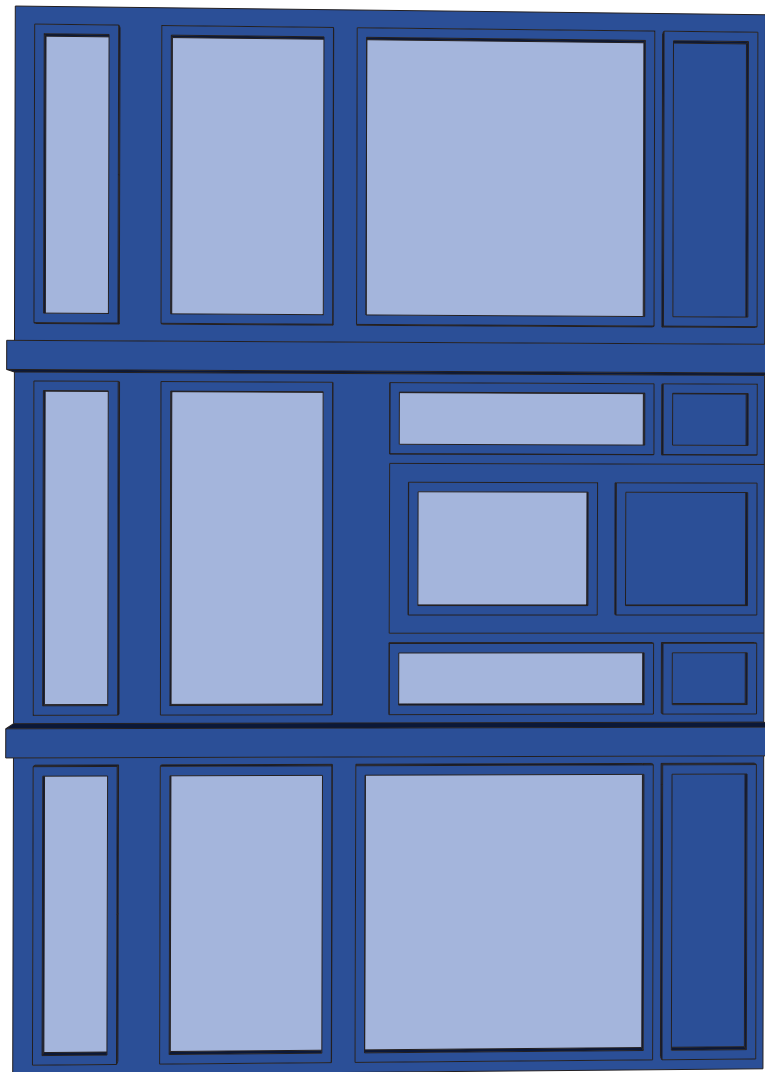
Project: RO

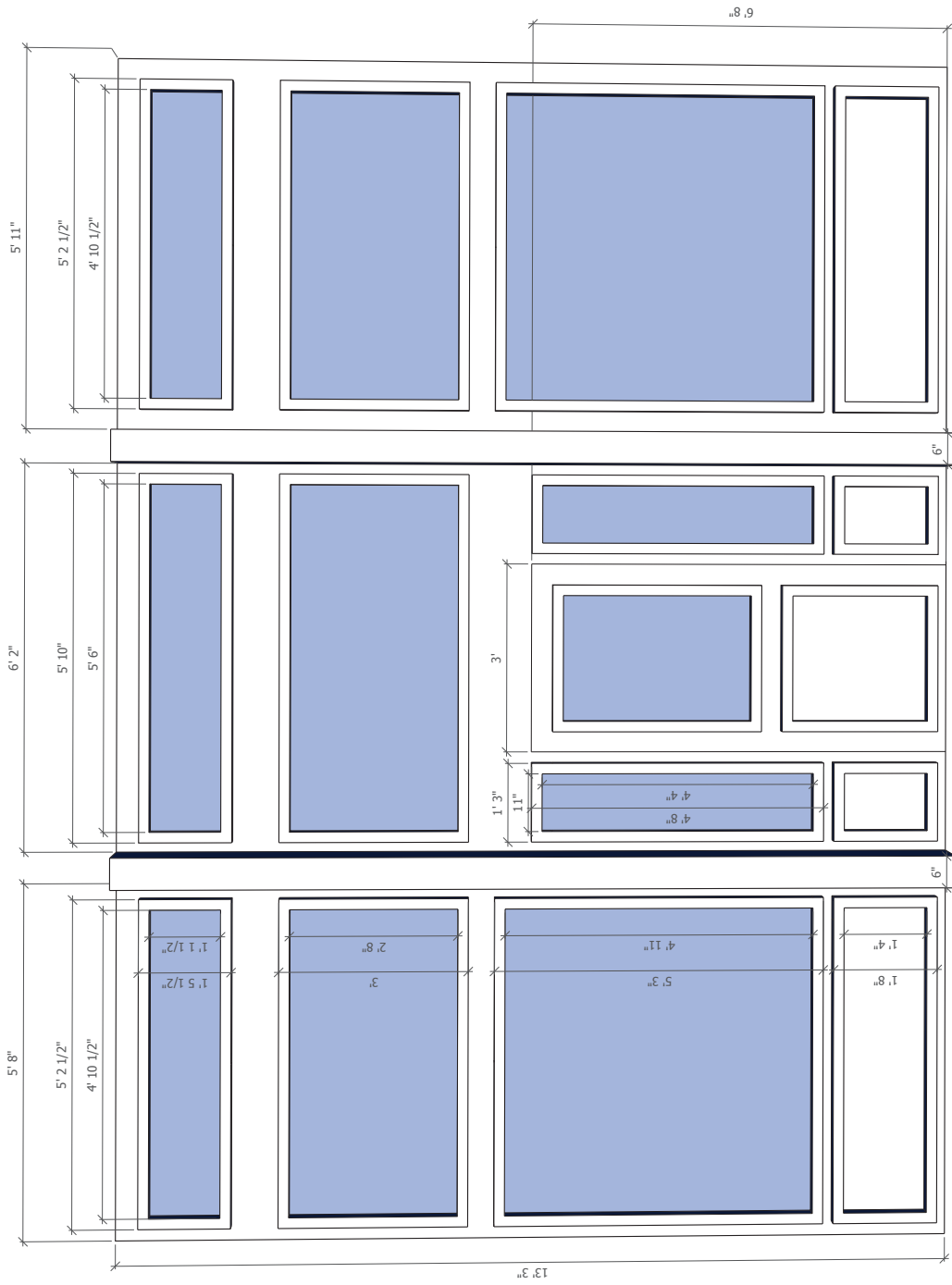
Date:

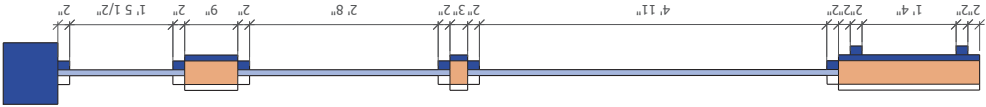
PROPRIETARY AND CONFIDENTIAL
THE INFORMATION CONTAINED IN THIS DRAWING IS THE SOLE PROPERTY OF OxCart Engineering, LLC. ANY REPRODUCTION IN PART OR AS A WHOLE WITHOUT THE WRITTEN PERMISSION OF OxCart Engineering, LLC IS PROHIBITED.

DIMENSIONS ARE IN INCHES









BEST SHADES OF NAVY

Benjamin Moore

New York State
of Mind

Kensington Blue

Van Deusen
Blue

Newburyport
Blue

Hale Navy

Sherwin Williams

Indigo

Honorable Blue

Commodore

Dress Blues

Naval

TheFlooringGirl.com

color: **DRESS BLUES** - AS INDICATED ABOVE